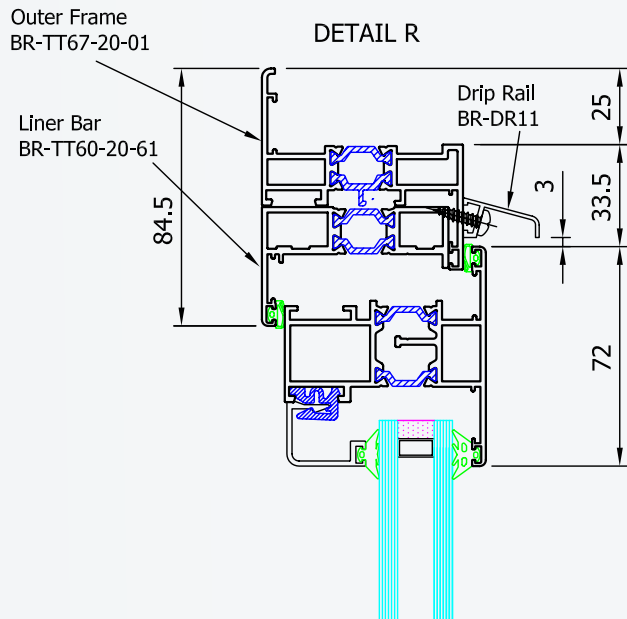
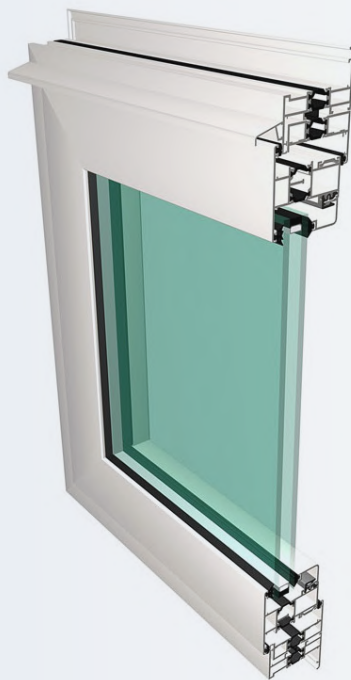


TB-66-O/CASE

Open-out casement window system (thermally broken)

The system is glazed internally to accommodate 24mm or 26mm double glazed units, using standard beads. As with all Jalal systems the Open Out Casement window system is manufactured to exacting standards, enabling economy to be combined with strength to give many years of aesthetic, trouble-free operation.



TB-66-O/CASE

System Performance



- Corners formed as 45 degree mitres to provide a quality appearance, high performance and weather resistance



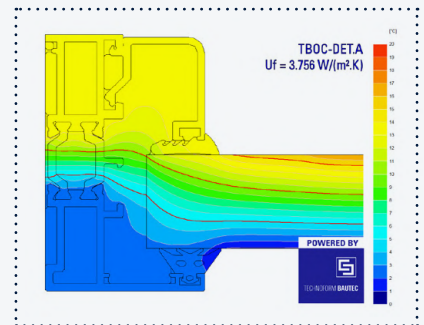
- Corners formed as 45 degree mitres to provide a quality appearance, high performance and weather resistance.
- Designed to perform at wind resistances up to 2.4 kPa.



- The system offers high quality thermally broken sections to suit specific project requirements and reduce heat gain.
- Thermal performance can achieve U_w of 1.6 W/m²K.



- Windows are hung on heavy duty fixed hinges with concealed multi-locking system for effective weather resistance and security.



Isotherm Diagram



DISCOVER
MORE ON OUR
WEBSITE